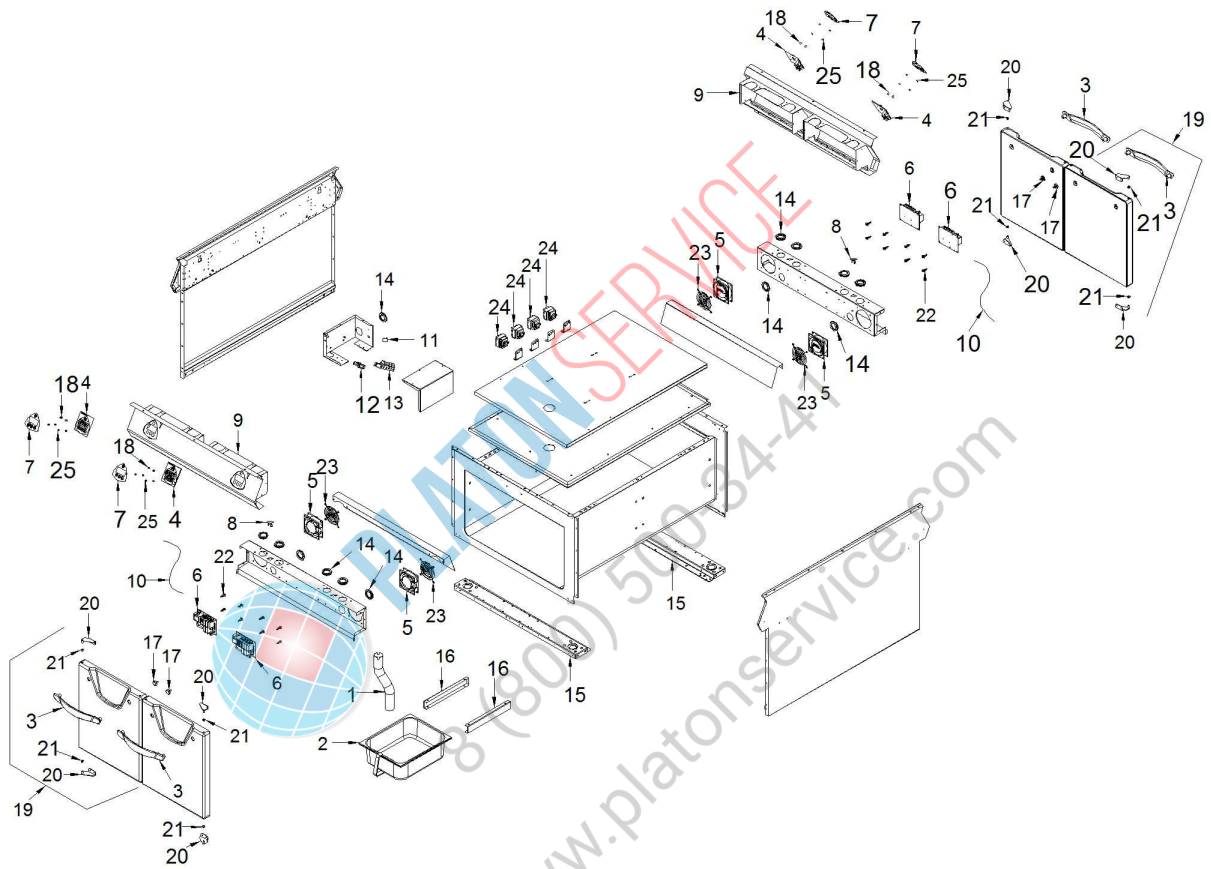
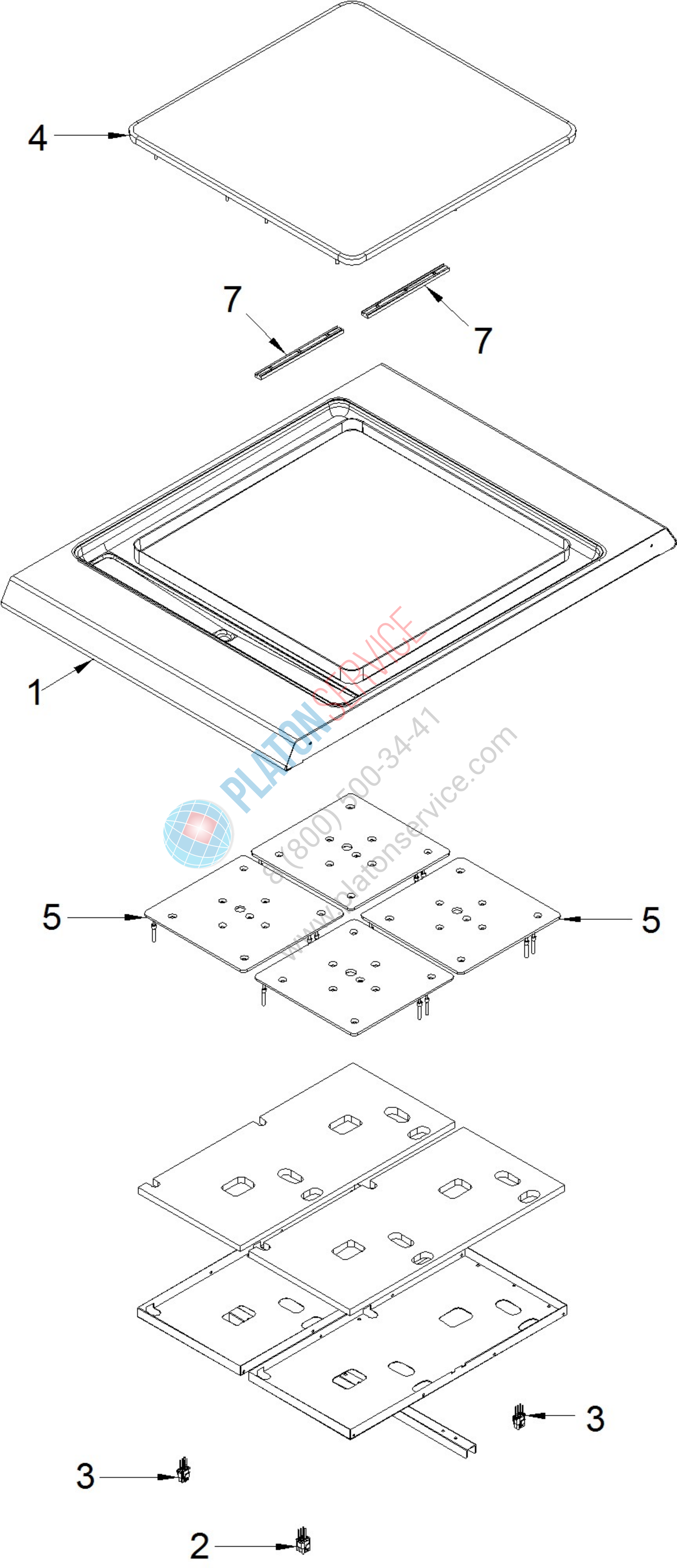




 **08WTPEV**

**Edition 20140505-**





Page	Pos	Code	Description	Info
002	001	3066511	DRAIN PIPE	05/05/2014-
002	002	3010380	SPILLAGE TRAY	09/05/2007-
002	003	3010573	HANDLE	04/10/2013-
002	004	6300649	BOARD	09/05/2007-
002	005	3076620	DRIVEN FAN	21/10/2008-
002	006	3076840	ELECTRONIC CONTROL	09/05/2007-
002	007	3087960	DASHBOARD	09/05/2007-
002	008	3093940	ELECTRIC THERMOSTAT 50 C	09/05/2007-
002	009	3168310	UPPER CONTROL BOARD	15/10/2009-
002	010	3104950	TEMP. PROBE	09/05/2007-
002	011	32D1450	TERMINAL	09/05/2007-
002	012	32D1820	CABLE CLAMP	15/10/2009-
002	013	32D0251	TERMINAL BOARD	15/10/2009-
002	014	32X0130	GROMMET $\varnothing 29-\varnothing 37$	15/10/2009-
002	015	35R0222	PROFILE OMEGA	09/05/2007-
002	016	35U8390	CONTAINER SLIDE	09/05/2007-
002	017	3600090	MAGNET PLATE	09/05/2007-
002	018	36C0970	SPACER	15/10/2009-
002	019	6029880	DOOR ASS.Y	20/06/2012-
002	020	6029110	HINGE ASSEMBLY	19/05/2010-
002	021	3011000	BUSHING	09/05/2007-
002	022	3148350	SPACER	15/10/2009-
002	023	3148060	PROTECT GRID	15/10/2009-
002	024	3110640	SAFETY THERMOSTAT	15/10/2009-
002	025	3121940	SPACER L=3,5mm	15/10/2009-
003	001	3079630	SHELF	09/05/2007-
003	002	3081120	9-POLE CONNECTOR	09/05/2007-
003	003	3100400	6-POLE CONNECTOR	09/05/2007-
003	004	3166920	PLATE	15/10/2009-
003	005	3148470	HEATING EL. 3000W 230 V	15/10/2009-
003	007	3133000	FEELER SUPPORT	13/01/2009-